

General Specifications

GS 33J60F50-01EN

Models ANT10U
Unit for Optical ESB Bus
Repeater Module
(for N-IO/FIO)



[Release 6]

■ GENERAL

This unit is used to install Optical ESB Bus Repeater Module. It can be used to connect the Optical ESB bus in a star or chain configuration. In a star configuration, this unit functions as the hub of the Optical ESB bus.

■ STANDARD SPECIFICATIONS

For the installation specifications and environmental conditions that are common to the systems, refer to the GS “N-IO System Overview (GS 33J62A10-01EN)” and “FIO System Overview (GS 33J60A10-01EN).”

● Power Supply

Voltage: 100-120 V AC, Frequency: 50/60 Hz
Voltage: 220-240 V AC, Frequency: 50/60 Hz
Voltage: 24 V DC

Specify with suffix codes

● Electric Power Consumption

100-120 V AC: 200 VA, 120 W
220-240 V AC: 230 VA, 120 W
24 V DC: 5.5 A

● Weight

Approx. 5.6 kg

■ CONFIGURATIONS

● Module Configurations

Power Supply Module (PW481, PW482, or PW484): Two modules in case of a dual-redundant configuration.
Power supply to the I/O modules, and supply power to the transmitters.
The power supply terminals use M4 screws.

Optical ESB Bus Repeater Master Module for 5 km (ANT401) (*1):
Two modules in case of a dual-redundant configuration.

Optical ESB Bus Repeater Master Module for 5 km to 50 km (ANT411) (*1):
Two modules in case of a dual-redundant configuration.

Optical ESB Bus Repeater Slave Module for 5 km (ANT502) (*1):
Two modules in case of a dual-redundant configuration.

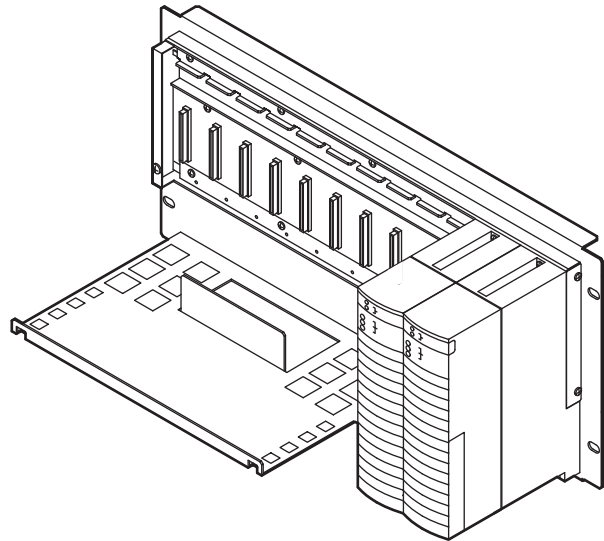
Optical ESB Bus Repeater Slave Module for 5 km to 50 km (ANT512) (*1):
Two modules in case of a dual-redundant configuration.

*1: A maximum total of 10 modules per unit can be installed.
Non-standard components.

■ RESTRICTIONS AND PRECAUTIONS FOR INSTALLATION

Only the ANT401, ANT502, ANT411, and ANT512 modules can be installed in this unit. The dual-redundant configuration of power supply modules requires the dual-redundant configuration of Optical ESB Bus Repeater Modules. If dual-redundant supply modules are used in combination with a single Optical ESB Bus Repeater Module, a power supply failure in the right-hand power supply module cannot be detected.

For the installation restrictions for Optical ESB Bus Repeater Modules, see the general specifications of “Optical ESB Bus Repeater Module” (GS 33J60F51-01EN/GS 33J60F52-01EN).



F01E.ai

● Mounting Type

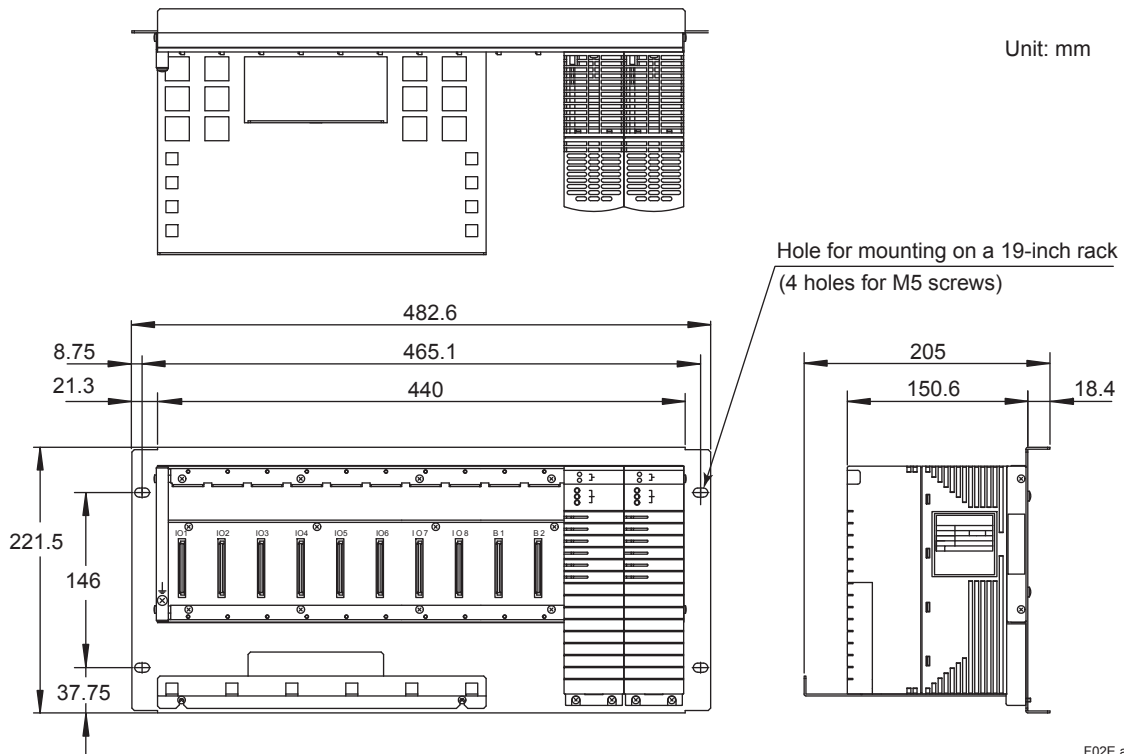
19-inch Rack Mount (M5 x 4 screws)
Insulation bush (accessory).

● Regulatory Compliance

For the detailed information on following standards, see “Integrated Production Control System CENTUM VP System Overview (GS 33J01A10-01EN).”

EXTERNAL DIMENSIONS

ANT10U Unit for Optical ESB Bus Repeater Module



F02E.ai

Nominal Tolerances :

When the reference dimension is over 0.5 mm and equal or less than 120 mm, its nominal tolerance is ± 0.8 mm, while its combination of nominal tolerance is ± 1.5 mm.

When the reference dimension is over 120 mm, its nominal tolerance is in accordance with JEM 1459.

■ MODELS AND SUFFIX CODES

Unit for Optical ESB Bus Repeater Module

		Description
Model	ANT10U	Unit for Optical ESB Bus Repeater Module (for N-IO/FIO)
Suffix Codes	-3	Single power supply module
	-4	Dual-redundant power supply module
	1	100 - 120 V AC power supply (*1)
	2	220 - 240 V AC power supply (*1)
	4	24 V DC power supply (*1)
	5	Basic type with no explosion protection
	6	With ISA Standard G3 option, temperature (-20 °C to 70 °C) option, and no explosion protection
	E	Basic type with explosion protection
F	With ISA Standard G3 option, temperature (-20 °C to 70 °C) option, and explosion protection	
Option Code	/ATDOC	Explosion Protection Manual (*2)

*1: To meet the safety standards and EMC standards, the unit must be installed in a keyed metallic cabinet.

*2: Select the option code "/ATDOC" to follow the ATEX/IECEX Directive for use in potentially explosive atmospheres.

■ STANDARD ACCESSORIES

The unit for optical ESB Bus repeater module is supplied with the following accessory.

Parts Names	Parts Numbers	Quantity	Remarks
Insulating bush	S9049PM	4	Accessory

■ APPLICABLE STANDARDS

Refer to the GS "Integrated Production Control System CENTUM VP System Overview" (GS 33J01A10-01EN).

■ ORDERING INFORMATION

Specify model and suffix codes.

For selecting the right products for explosion protection, please refer to TI 33Q01J30-01E without fail.

■ TRADEMARKS

- CENTUM is a registered trademark of Yokogawa Electric Corporation.
- Other company and product names appearing in this document are trademarks or registered trademarks of their respective holders.