

# Specifications and Ordering Information

## 3500/53 Electronic Overspeed Detection System



### Description

Bently Nevada's Electronic Overspeed Detection System for the 3500 Series Machinery Detection System provides a highly reliable, fast response, redundant tachometer system intended specifically for use as part of an overspeed protection system. It is designed to meet the requirements of American Petroleum Institute Standards 670 and 612 pertaining to overspeed protection.

3500/53 modules can be combined to form a 2-out-of-2 or 2-out-of-3 (recommended) voting system.

The use of redundant power supplies in a 3500 rack containing the Overspeed Detection System is required.

### Specifications

#### Inputs

**Signal:** Each Overspeed Detection module accepts a single transducer signal from a proximity probe transducer or magnetic pickup. The input signal range is +10.0 V to -24.0 V. Signals exceeding this range are limited internally by the module.

**Input Impedance:** 20 k  $\Omega$ .

**Power Consumption:** 8.0 Watts, typical.

**Transducers:** Bently Nevada 3300 8 mm Proximitor®; 3300 16 mm HTPS, 7200 5 mm, 8 mm, 11 mm, and 14 mm Proximitor®; 3300 RAM Proximitor®, or Magnetic pickups.

#### Outputs

##### Front Panel LEDs

**OK LED:** Indicates when the 3500/53 Module is operating properly.

**TX/RX LED:** Indicates when the 3500/53 Module is communicating with other modules in the 3500 rack.

**Bypass LED:** Indicates when the 3500/53 Module is in Bypass Mode.

**Test Mode LED:** Indicates when the 3500/53 is in Test Mode.

*Alarm LEDs:* Indicates that an alarm condition has occurred with the associated relay.

*Buffered Transducer Outputs:* The front of each module has one coaxial connector for buffered output. Each connector is short circuit and ESD protected.

*Output Impedance:* 550  $\Omega$ .

*Transducer Power Supply:* -24 Vdc, 40 mA maximum.

*Recorder:* +4 to +20 mA. Values are proportional to module full-scale range (rpm). Module operation is unaffected by short circuits on recorder output.

*Voltage Compliance (current output):* 0 to +12 Vdc range across load. Load resistance is 0 to 600  $\Omega$ .

*Resolution:* 0.3662  $\mu$ A per bit  $\pm$ 0.25% error at room temperature  $\pm$ 0.7% error over temperature range. Update rate approximately 100 ms.

*Contact Life:* 100,000 @ 5 A, 24 Vdc or 120 Vac.

*Operation:* Each relay is switch selectable for Normally De-energized or Normally Energized.

---

**Signal Conditioning** Specified at +25°C (+77° F).

*Frequency Response*

*Speed Input:* The 3500 Overspeed Protection Module will support from 1 to 255 events per revolution with a maximum full-scale range of 99,999 rpm and a maximum input frequency of 20 kHz. Minimum input frequency for proximity transducers is 0.0167 Hz (1 rpm for 1 event/revolution) and for passive magnetic pickups is 3.3 Hz.

*RPM Accuracy:* Less than 100 rpm =  $\pm$  0.1 rpm, 100 to 10,000 rpm =  $\pm$ 1 rpm, 10,000 to 99,999 rpm =  $\pm$  0.01%.

---

## Relays

*Type:* Single-pole, double-throw (SPDT) relays.

*Environmental Sealing:* Epoxy sealed.

*Arc Suppressers:* 250 Vrms, installed as standard.

*Contact Ratings*

*Max switched power:* **dc:** 120 W  
**ac:** 600 VA.

*Resistive Load*

*Max switched current:* 5A

*Min switched current:* 100 mA @ 5 Vdc

*Max switched voltage:* **dc:** 30 Vdc  
**ac:** 250 Vac.

---

## Transducer Conditioning

*Auto Threshold:* Use for any input above 0.0167 Hz (1 rpm for 1 event/revolution). Minimum signal amplitude for triggering is 1 volt peak-to-peak.

*Manual Threshold:* User selectable from +9.9 Vdc to -23.9 Vdc. Minimum signal amplitude for triggering is 500 millivolts peak-to-peak.

*Hysteresis:* User selectable from 0.2 to 2.5 volts.

---

**Alarms**

*Alarm Setpoints:* Under and Over Alert levels (setpoints) can be set for speed. In addition, a Danger (Overspeed) setpoint can be set for speed. All alarm setpoints are set using software configuration. Alarms are adjustable and can normally be set from 0 to 100% of full-scale of speed full-scale range.

*Alarm Time Delays:* Less than 30 ms above 300 Hz.

---

**Proportional Values** Proportional values are speed measurements used to monitor a machine. The Overspeed Detection Module returns the following proportional values:

**Overspeed**

*Speed:* The primary value for the channel. This value can be included in contiguous registers in the Communications Gateway Module.

*Peak Speed:* Peak Speed proportional values are for display purposes only. No alarming is provided for Peak Speed.

---

**Environmental Limits**

*Operating Temperature:* -30°C to +65°C (-22°F to +149°F)

*Storage Temperature:* -40°C to +85°C (-40°F to +185°F)

*Humidity:* 95%, non-condensing.

---

**CE Mark Directives**

*EMC Directives:*

*EN50081-2:* Radiated Emissions  
EN 55011, Class A  
Conducted Emissions  
EN 55011, Class A

*EN50082-2:* Electrostatic Discharge  
EN 61000-4-2, Criteria B  
Radiated Susceptibility  
ENV 50140, Criteria A  
Conducted Susceptibility  
ENV 50141, Criteria A  
Electrical Fast Transient  
EN 61000-4-4, Criteria B  
Surge Capability  
EN 61000-4-5, Criteria B  
Magnetic Field  
EN 61000-4-8, Criteria A  
Power Supply Dip  
EN 61000-4-11, Criteria B  
Radio Telephone  
ENV 50204, Criteria B

**Low Voltage Directives:**

*EN 61010-1* Safety Requirements

---

**Hazardous Area Approvals**

*CSA/NRTL/C:* Class I, Division 2, Groups A through D.

---

**Physical****Monitor Module**

*Dimensions (Height x Width x Depth):* 241.3 mm x 24.4 mm x 241.8 mm (9.50 in x 0.96 in x 9.52 in).

*Weight:* 0.82 kg (1.8 lbs.).

**I/O Modules**

*Dimensions (Height x Width x Depth):* 241.3 mm x 24.4 mm x 99.1 mm (9.50 in x 0.96 in x 3.90 in).

*Weight:* 0.45 kg (1.0 lb.).

---

**Rack Space Requirements**

*Monitor Module:* 1 full-height front slot/per channel.

*I/O Modules:* 1 full-height rear slot/per channel.

---

---

## Ordering Considerations

---

### General

If the 3500/53 is added to an existing 3500 System the following firmware and software versions (or later) are required:

- 3500/20 Module Firmware – Revision G
- 3500/01 Software – Version 2.00
- 3500/02 Software – Version 2.03
- 3500/03 Software – Version 1.13

The use of redundant power supplies in a 3500 rack containing the Overspeed Detection System is required.

---

## Ordering Information

---

### Electronic Overspeed Detection System 3500/53-AXX-BXX Option Descriptions

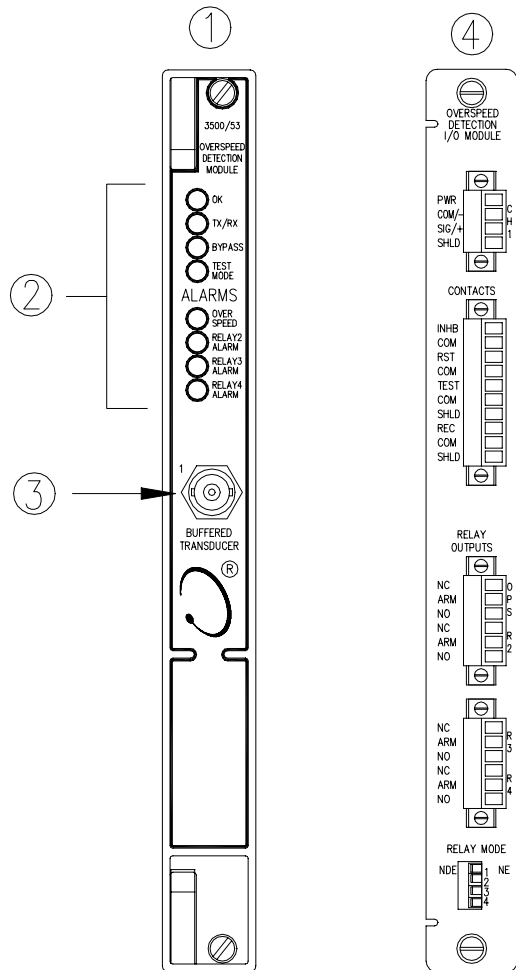
- A: Channel Option    **0 2** Two Channel System  
                              **0 3** Three Channel System
- B: Agency Approval    **0 0** None  
  Option                **0 1** CSA/NRTL/C

---

### Spares

133388-01	3500/53 Overspeed Detection Module
133396-01	Overspeed Detection I/O Module
04425545	Grounding Wrist Strap (single use)
04400037	IC Removal Tool
134129-01	Firmware IC
00580438	Connector Header, Internal Termination, 4-position, Green
00580436	Connector Header, Internal Termination, 6-position, Green
00580432	Connector Header, Internal Termination, 10-position, Green
134939-01	3500/53 Overspeed Detection Manual

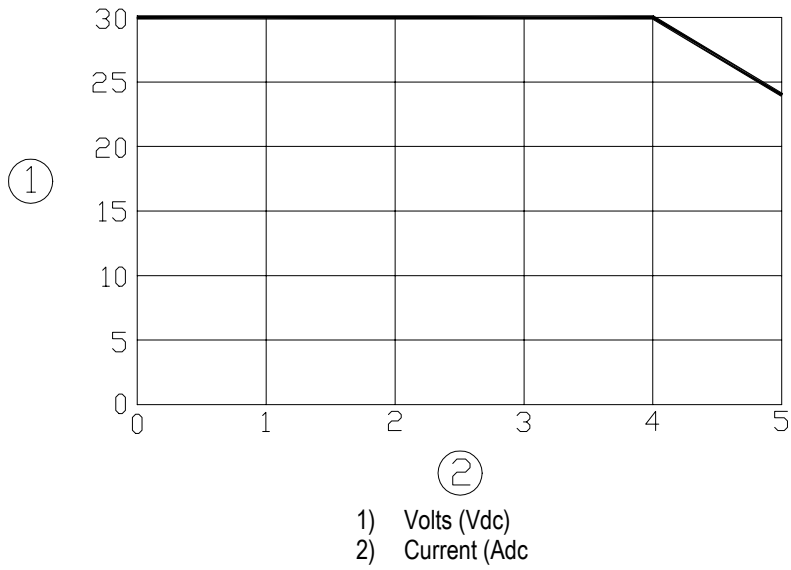
## Figures and Tables



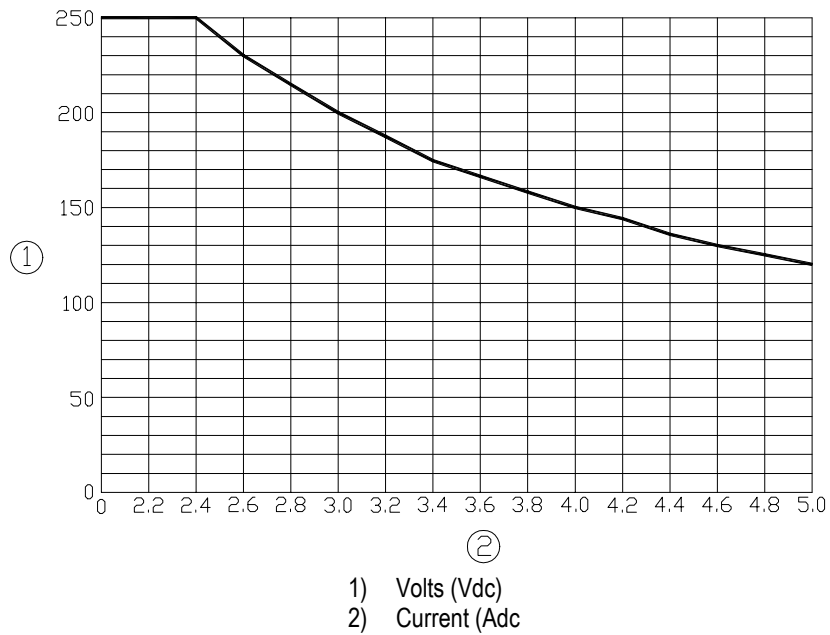
- 1) Main Module, front view.
- 2) Status LEDs,.
- 3) Buffered transducer output. Provides an unfiltered output for the transducer. The output is short-circuit protected.
- 4) I/O Module, rear view.

**Front and rear view of the Electronic Overspeed Detection Module**

**Maximum Switching Capacity  
DC Resistive Load**



**Maximum Switching Capacity  
AC Resistive Load**



All data is subject to change without notice

© 1999 Bently Nevada Corporation  
® used in this document are registered marks of Bently Nevada Corporation

**FOR REFERENCE ONLY**