



## Commercial status

To be discontinued on: 31 December 2022

To be end-of-service on: 31 December 2030

⚠ To be discontinued

### Main

|                           |                                     |
|---------------------------|-------------------------------------|
| Range of product          | Modicon Quantum automation platform |
| Product or component type | Analogue input module               |

### Complementary

|   |  |
|---|--|
| Analogue input number                   | 8  |
| Input type                              | Differential   |
| Addressing requirement                  | 9 input words  |
| Analogue input type                     | Temperature probe - 100...450 °C Pt 100, Pt 200, Pt 500, Pt 1000<br>Temperature probe - 200...850 °C Pt 100, Pt 200, Pt 500, Pt 1000<br>Temperature probe - 60...180 °C Ni 100, Ni 200, Ni 500, Ni 1000<br>Temperature probe 0.5 mA Ni 100, Ni 200, Ni 500, Ni 1000<br>Temperature probe 2.5 mA Pt 100, Pt 200, Ni 100, Ni 200 |
| Analogue input resolution               | 13 bits  |
| Input impedance                         | >= 10 MOhm   |
| Absolute accuracy error                 | 0.1 °C   |
| Linearity error                         | +/- 0.01 % full scale<br>+/- 0.5 °C  |
| Accuracy drift according to temperature | +/- 0.5 °C 77 °F (25 °C)<br>+/- 0.9 °C 32...140 °F (0...60 °C)   |
| Isolation between channels and bus      | 1780 V AC 47...63 Hz 60 s<br>2500 V DC 60 s  |
| Isolation between channels              | 300 Vrms AC  |
| Update time                             | 1200 ms 3 wires<br>640 ms 2 wires/4 wires  |
| Fault type                              | Broken wire<br>Overtacking scale   |
| Marking                                 | CE   |
| Local signalling                        | for bus communication is present (Active) 1 LED (green)<br>for external fault 1 LED (red)<br>for channel is turned on 8 LEDs (green)   |

Disclaimer: This documentation is not intended as a substitute for and is not to be used for determining suitability or reliability of these products for specific user applications

for channel fault 8 LEDs (red)

|                         |                      |
|-------------------------|----------------------|
| Bus current requirement | 200 mA               |
| Power dissipation in W  | 1 W                  |
| Module format           | Standard             |
| Net Weight              | 0.66 lb(US) (0.3 kg) |

## Environment

|                                       |   |
|---------------------------------------|---|
| Standards                             | UL 508<br>CSA C22.2 No 142                      |
| Product certifications                | FM Class 1 Division 2<br>CUL                    |
| Resistance to electrostatic discharge | 4 kV contact IEC 801-2<br>8 kV on air IEC 801-2 |
| Resistance to electromagnetic fields  | 9.14 V/m (10 V/m) 80...1000 MHz IEC 801-3       |
| Ambient air temperature for operation | 32...140 °F (0...60 °C)                         |
| Ambient air temperature for storage   | -40...185 °F (-40...85 °C)                      |
| Relative humidity                     | 95 % without condensation                       |
| Operating altitude                    | <= 16404.2 ft (5000 m)                          |

## Ordering and shipping details

|                       |                                      |
|-----------------------|--------------------------------------|
| Category              | 18155 - QUANTUM I/O & POWER SUPPLIES |
| Discount Schedule     | PC21                                 |
| GTIN                  | 00785901792222                       |
| Nbr. of units in pkg. | 1                                    |
| Package weight(Lbs)   | 1.02 lb(US) (0.46 kg)                |
| Returnability         | Yes                                  |
| Country of origin     | FR                                   |

## Packing Units

|                              |                      |
|------------------------------|----------------------|
| Unit Type of Package 1       | PCE                  |
| Package 1 Height             | 1.77 in (4.5 cm)     |
| Package 1 width              | 6.69 in (17 cm)      |
| Package 1 Length             | 12.60 in (32 cm)     |
| Unit Type of Package 2       | S03                  |
| Number of Units in Package 2 | 7                    |
| Package 2 Weight             | 7.72 lb(US) (3.5 kg) |
| Package 2 Height             | 11.81 in (30 cm)     |
| Package 2 width              | 11.81 in (30 cm)     |
| Package 2 Length             | 15.75 in (40 cm)     |

## Offer Sustainability

|                            |   |
|----------------------------|---|
| Sustainable offer status   | Green Premium product   |
| California proposition 65  | WARNING: This product can expose you to chemicals including: Lead and lead compounds, which is known to the State of California to cause cancer and birth defects or other reproductive harm. For more information go to <a href="http://www.P65Warnings.ca.gov">www.P65Warnings.ca.gov</a> |
| REACH Regulation           | <a href="#">REACH Declaration</a>   |
| REACH free of SVHC         | Yes   |
| EU RoHS Directive          | Pro-active compliance (Product out of EU RoHS legal scope)<br><a href="#">EU RoHS Declaration</a>   |
| Mercury free               | Yes   |
| RoHS exemption information | <a href="#">Yes</a>   |
| China RoHS Regulation      | <a href="#">China RoHS declaration</a>  |
| Environmental Disclosure   | <a href="#">Product Environmental Profile</a>   |

---

|                     |  |
|---------------------|--|
| Circularity Profile | <a href="#">End of Life Information</a>  |
| WEEE                | The product must be disposed on European Union markets following specific waste collection and never end up in rubbish bins. |

---

### Contractual warranty

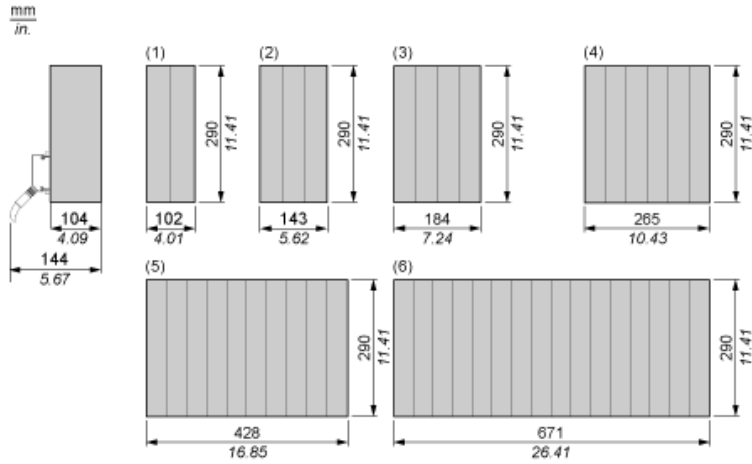
---

|          |           |
|----------|-----------|
| Warranty | 18 months |
|----------|-----------|

---

Racks for Modules Mounting

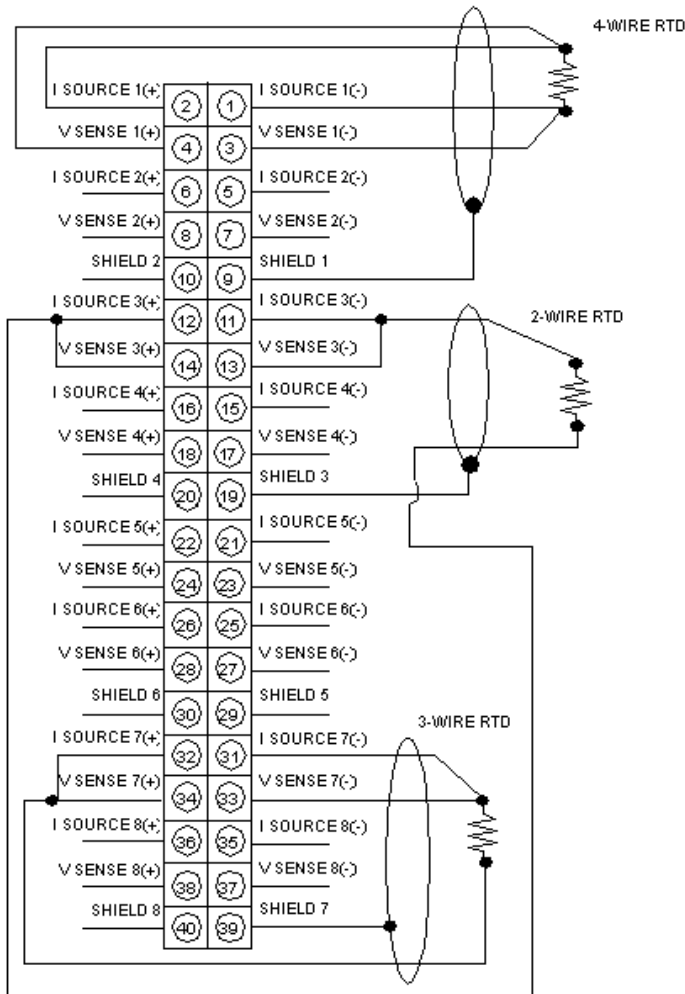
Dimensions of Modules and Racks



- (1) 2 slots
- (2) 3 slots
- (3) 4 slots
- (4) 6 slots
- (5) 10 slots
- (6) 16 slots

RTD Input 8-Channel Module

Wiring Diagram



140ARI03010 is replaced by:



Standard environment BMXART0814

analog input module X80 - 8 inputs - temperature

Qty 1

Reason for Substitution: End of life | Substitution date: 30 September 2019 | Linking to group 1