

# Probe Holder for PR6422 and PR6423

The PR6480 probe holder permits mounting of eddy current sensors of type PR6422 and PR6423 at machines so that they can be adjusted from outside. The sensors can be changed even on machines that are operating. The probe holder enables an oil-tight mounting of the sensors.



Material	
Holder	Stainless steel (1.4305)
Connection Head (optional)	Aluminum die-cast with polyester coating
Protection Hose MPT 064 (optional)	Stainless steel (1.4301)
Dimensions	
See figures 1 to 5	
Environmental Conditions	
Differential Pressure	2000hPa (screwed in holder with sealing glued in sensor)
IP Protection Class Connection Head (Optional)	IP45 IP65 – if adapter (position 10 on figure 3) is glued in sealed with adhesive Loctite 620 or equal.
Mounting Hints	
The sensor can be fixed within the sensor sleeve by locking with an appropriate nut or by gluing in with adhesive Loctite 620 or equal. We recommend gluing in the adaptor sleeve for the PR6422 accordingly.	

## Ordering Information

		PR6480/	08	-	XXX	-	XX
Adjustable Range [mm]	30-70 (x=169mm)				070		
	50-90 (x=189mm)				090		
	80-120 (x=218mm)				120		
	110-150 (x=248mm)				150		
	140-180 (x=278mm)				180		
	170-210 (x=308mm)				210		
	200-240 (x=338mm)				240		
	230-270 (x=368mm)				270		
	260-300* (x=398mm)				300		
	290-330* (x=428mm)				330		
	320-360* (x=458mm)				360		
	350-390* (x=488mm)				390		
	380-420* (x=518mm)				420		
	410-450* (x=548mm)				450		
Screw Fitting	M24x1.5						01
	¾-14 NPT						02

\* Holders of this lengths must be secured at the lower part of the sensor sleeve so that the holder tip cannot move.

### Accessories

PR6480/HEAD	ECS PROBE HOLDER CONNECTION HEAD, ATEX
-------------	--

### Ordering Information PR6422 Sensor

PR6422/		X	X	X	-	X	X	X
Sleeve Thread	0 M6x0.5	0						
Armored Cable	0 WITHOUT*		0					
Total Sensor Length C=Cx +5.3mm	0 Cx = 20mm							
	1 30mm			X				
	2 40mm							
	3 50mm							
Adaptor Plug	0 WITH					X		
	1 WITHOUT**							
Total Cable Length	0 4m							
	1 5m							
	2 6m							
	3 8m						X	
	F 9m							
	4 10m							
Cable End	0 LEMO							X
	1 OPEN							

\* Armored Cable not available. Use MPT064 Metal Protection tube, if cable protection is needed.

\*\* Sensor without adaptor Plug can only be used, if cable end "OPEN" connector is chosen.

Example: PR6422/000-000

ECS 5MM, M6X0.5, NO ARMOR, 20MM SLEEVE, 1+3M CAB, LEMO

### Ordering Information PR6423 Sensor

PR6423/		X	X	X	-	X	X	X
Sleeve Thread	0 M10x1	0						
Armored Cable	0 WITHOUT*		0					
Total Sensor Length C=Cx +9mm	0 Cx = 25mm							
	1 35mm			X				
	2 45mm							
	3 55mm							
	R REVERSE							
Adaptor Plug	0 WITH					X		
	1 WITHOUT**							
Total Cable Length	0 4m							
	1 5m							
	2 6m							
	3 8m						X	
	F 9m							
	4 10m							
Cable End	0 LEMO							X
	1 OPEN							

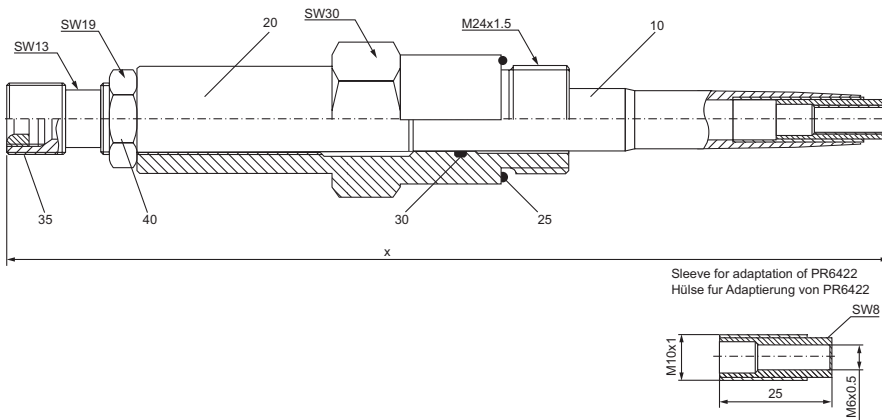
\* Armored Cable not available. Use MPT064 Metal Protection tube, if cable protection is needed.

\*\* Sensor without adaptor Plug can only be used, if cable end "OPEN" connector is chosen.

Example: PR6423/000-000

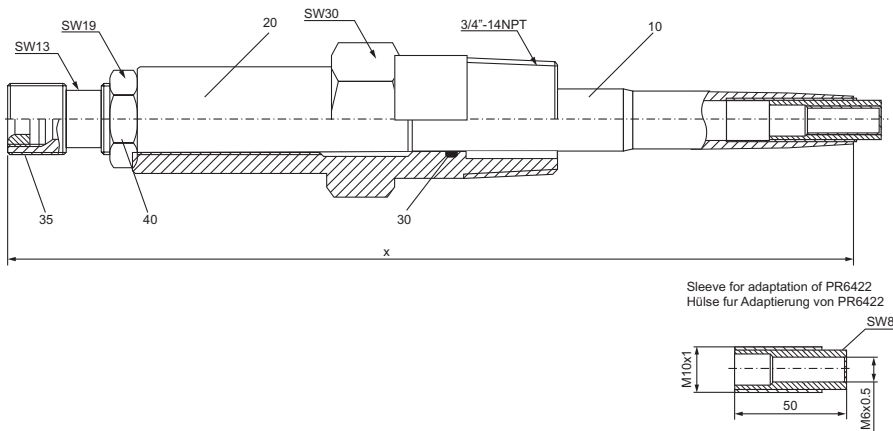
ECS 8MM, M10X1, NO ARMOR, 25MM SLEEVE, 1+3M CAB, LEMO

Figure 1 – PR6480/08-xxx-01 with M24x1.5 thread



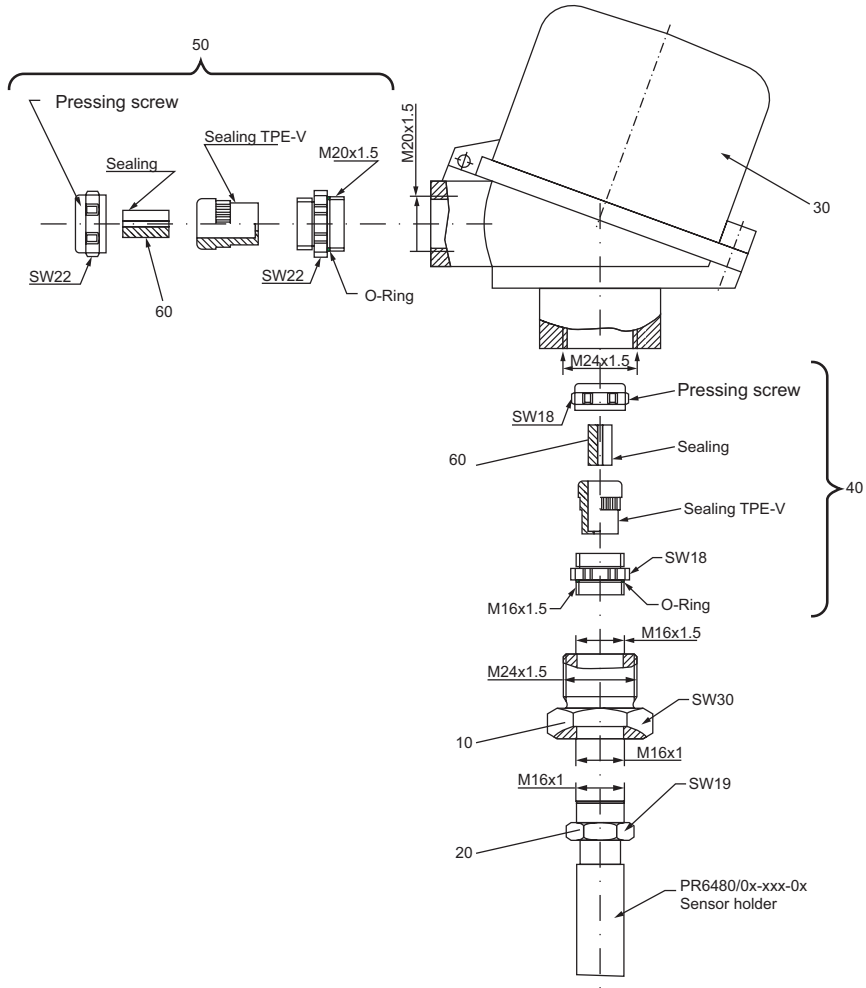
- |                           |                       |
|---------------------------|-----------------------|
| 10) Sensor sleeve         | 30) O-Ring            |
| 20) Screw fitting M24x1.5 | 35) Gland PG7         |
| 25) O-Ring                | 40) Hexagon nut M16x1 |

Figure 2 – PR6480/08-xxx-02 with conical self-sealing NPT thread



- |                               |                       |
|-------------------------------|-----------------------|
| 10) Sensor sleeve             | 35) Gland PG7         |
| 20) Screw fitting 3/4\"-14NPT | 40) Hexagon nut M16x1 |
| 30) O-Ring                    |                       |

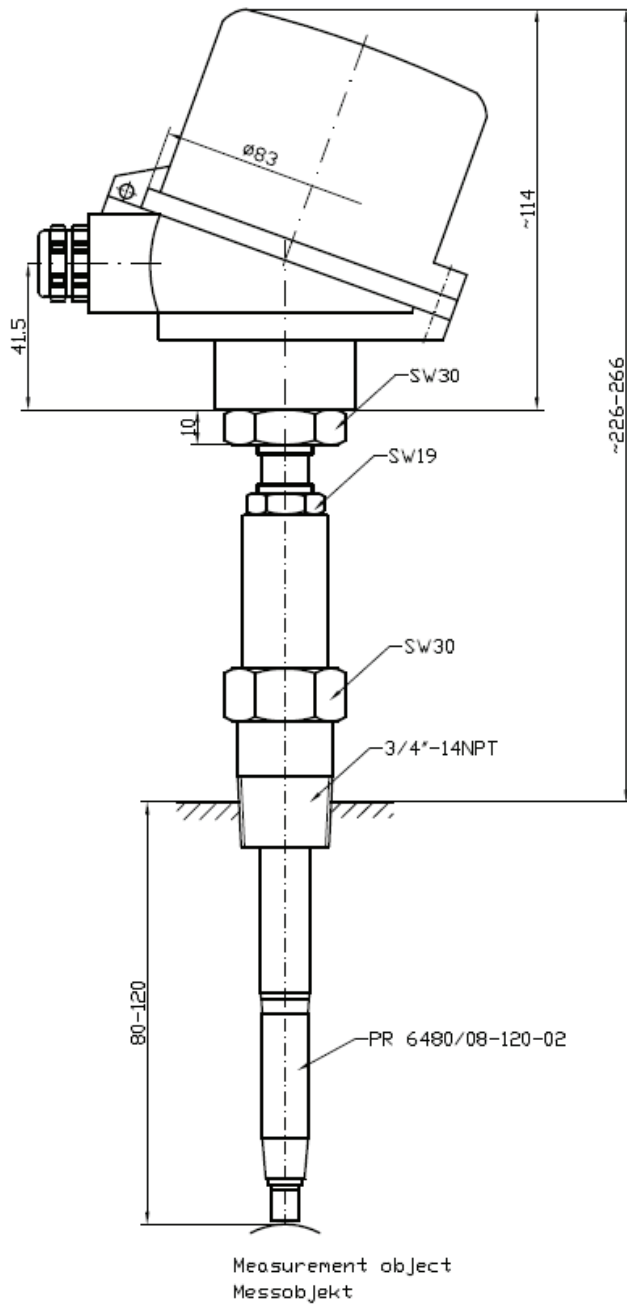
Figure 3 – Optional connection head for PR6480



- 10) Adapter
- 20) Nut M16x1
- 30) Connection head

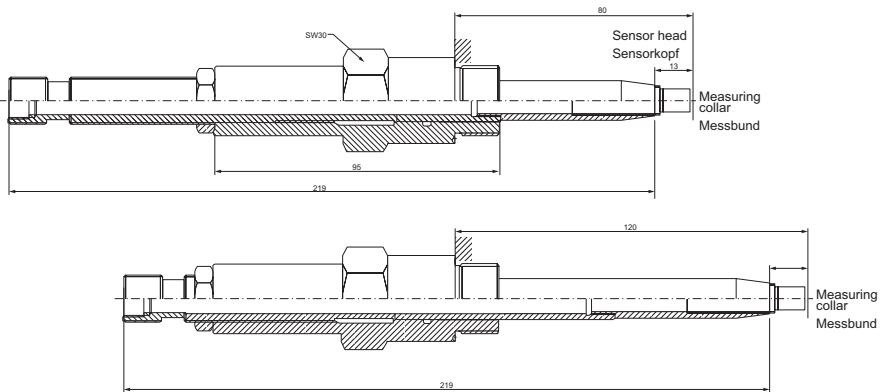
- 40) Gland M16x1.5
- 50) Gland M20x1.5
- 60) Sealing FKM (Viton)



Figure 4 - PR6480 with connection head



\*All dimensions in mm

Figure 5 – PR6480/08-120-02 Example adjustable range 80-120 mm



Agency Approvals	
Part	Approval
Optional Connection Head	 II 2GD EEx e II FTZU 03 ATEX 0073 U Zone 1, Zone 2, Zone 21, Zone 22
Ex-Gland M16x1.5 and M20x1.5 (figure 3, position 40 and 50)	 II 2G Ex eb IIC Gb II 2D Ex tb IIIC Db IP66/68 PTB 14 ATEX 1011X xx CE 0102 xx = M16, M20

©2019, Emerson. All rights reserved.

The Emerson logo is a trademark and service mark of Emerson Electric Co. All other marks are the property of their respective owners.

The contents of this publication are presented for informational purposes only, and while diligent efforts were made to ensure their accuracy, they are not to be construed as warranties or guarantees, express or implied, regarding the products or services described herein or their use or applicability. All sales are governed by our terms and conditions, which are available on request. We reserve the right to modify or improve the designs or specifications of our products at any time without notice.

**Emerson**  
**Reliability Solutions**  
 12001 Technology Drive  
 Eden Prairie, MN 55344 USA  
 ☎ +1 952 828 3633  
 ☎ +1 952 828 3006  
 🌐 [www.emerson.com/ams](http://www.emerson.com/ams)