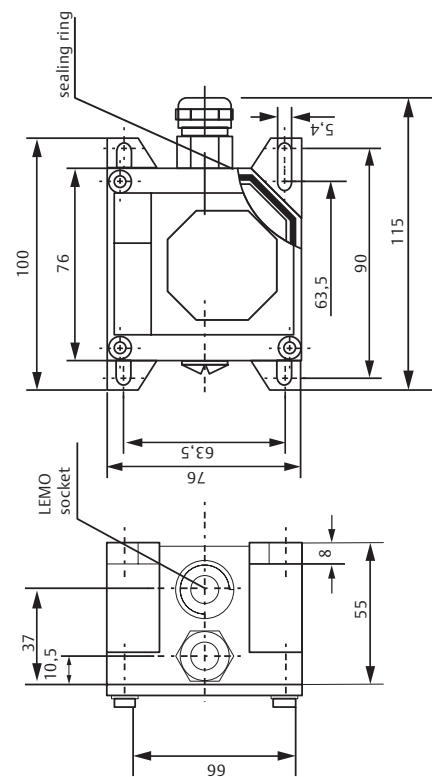


Eddy Current Signal Converter

Sensor Signal Converter designed for critical turbo machinery applications such as steam, gas and hydro turbines, compressors, pumps and fans to measure radial and axial shaft displacement, position, eccentricity and speed/key.



Dynamic Performance		
Frequency Range (-3 dB)	0 to 20000 Hz:	
Rise Time	<15 μs	
Input Sensor Types	PR6422, PR6423, PR 6424, PR6425, PR6426	
Extended Measuring Range	For Extended Range Use CON011/91x-xxx	
NOTE: PR6425 requires extended range converter		
Environmental		
Operating Temperature Range	-30 to 100°C (-22 to 212°F)	
Shock and Vibration	5g @ 60 Hz @ 25°C (77°F)	
Protection Class	IP65	
Power & Electrical		
Supply Voltage Range	-23V to -32V (Output Range - 4V to -20V)	
	-21V to -32V (Output Range - 2V to -18V)	
Physical		
Housing Material	GD-ALSi9Cu3	
Weight	~600 grams (21.16 oz)	
Mounting	4 Screws M5x20 (Included in Delivery)	
Connections:	Transducer	Self-Locking Lemo-Plug
	Supply/Output	Spring Type (Max. 1.5Mm ²)
Compliance and Certifications		
CE	2014/30/EU	
	2014/34/EU	
	2011/65/EU	
	EN61326-1	
	DIN EN 50581	
ATEX	EN 60079-0:2009	
	EN 60079-11:2012	



IEC-Ex	IEC 60079-0:2007-10; Edition 5
	IEC 60079-11:2011; Edition: 6.0
	IEC 60079-26:2006; Edition: 2
CSA	CAN/CSA-C22.2 NO. 0-M91
	CAN/CSA-C22.2 NO. 157-92
	CAN/CSA-C22.2 NO. 213-M1987
	CAN/CSA-E60079-15-02 (R2006)
	CAN/CSA-C22.2 NO. 25-1966
	CAN/CSA-C22.2 NO. 61010-1-04
	ANSI/UL Standard 913-2004
	ANSI/UL Standard 1604-1995
	UL 60079-15 2002
	UL 61010-1

Hazardous Area Approvals

Intrinsic Safety (iA)	
ATEX	II 1 G Ex ia IIC T6 Ga, $-20^{\circ}\text{C} \leq \text{Ta} \leq 60^{\circ}\text{C}$ (Use with current limiting, e.g.: safety barrier)
IEC-Ex	Ex ia IIC T6 Ga, $-20^{\circ}\text{C} \leq \text{Ta} \leq 60^{\circ}\text{C}$ (Use with current limiting, e.g.: safety barrier)
CSA	Class I Division 1, Groups A, B, C, D, T6
	Class II, III Division 1, Groups E, F, G, T6
	T6: $-25^{\circ}\text{C} \leq \text{Ta} \leq 60^{\circ}\text{C}$ (Use with current limiting, e.g.: safety barrier)
Non-sparking (nA)	
CSA	Class I Division 2, Groups A, B, C, D
	Class II, III Division 2, Groups E, F, G
	Ex nA II T6
	AEx nA II T6
	T6: $-25^{\circ}\text{C} \leq \text{Ta} \leq 60^{\circ}\text{C}$

Ordering Information

Part Number	Sensor Type	Measuring Range	Linearity Error
CON011	PR6422 PR6423 PR6424 PR6426	1.0mm (Standard Range) 2.0mm (Standard Range) 4.0mm (Standard Range) 8.0mm (Standard Range)	≤ 1.5% ≤ 1.0% ≤ 1.5% ≤ 1.5%
CON011/912-015	PR6422	1.5mm (Extended Range)	≤ 2.0%
CON011/913-030	PR6423	3.0mm (Extended Range)	≤ 1.5%
CON011/913-040	PR6423	4.0mm (Extended Range)	≤ 2.0%
CON011/914-060	PR6424	6.0mm (Extended Range)	≤ 1.0%
CON011/914-080	PR6424	8.0mm (Extended Range)	≤ 1.5%
CON011/914-100	PR6424	10.0mm (Extended Range)	≤ 2.0%
CON011/915-040	PR6425	4.0mm (Standard Range)	≤ 1.5%
CON011/915-060	PR6425	6.0mm (Extended Range)	≤ 2.0%
CON011/915-080	PR6425	8.0mm (Extended Range)	≤ 3.0%
CON011/915-100	PR6425	10.0mm (Extended Range)	≤ 4.0%
CON011/916-120	PR6426	12.0mm (Extended Range)	≤ 1.5%
CON011/916-160	PR6426	16.0mm (Extended Range)	≤ 2.0%
CON011/916-200	PR6426	20.0mm (Extended Range)	≤ 2.5%
CON011/916-240	PR6426	24.0mm (Extended Range)	≤ 3.5%

©2017, Emerson. All rights reserved.

The Emerson logo is a trademark and service mark of Emerson Electric Co. All other marks are the property of their respective owners.

The contents of this publication are presented for informational purposes only, and while every effort has been made to ensure their accuracy, they are not to be construed as warranties or guarantees, express or implied, regarding the products or services described herein or their use or applicability. All sales are governed by our terms and conditions, which are available on request. We reserve the right to modify or improve the designs or specifications of our products at any time without notice.

Emerson
Reliability Solutions
 835 Innovation Drive
 Knoxville, TN 37932 USA
 ☎ +1 865 675 2400

🌐 www.emerson.com/ams